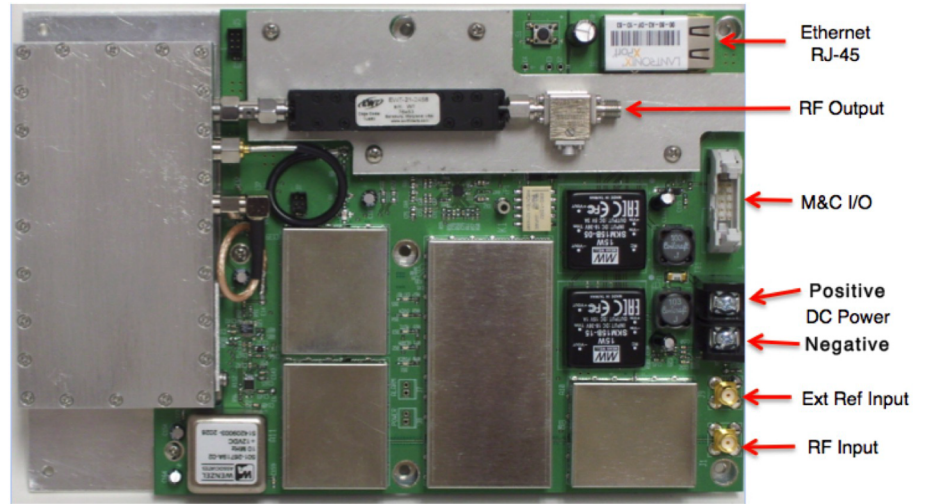


**1015-154-130 Upconverter, 130 MHz to 14.75 - 15.4 GHz**

The Model 1015-154-130 Upconverter converts  $130 \pm 18$  MHz to 14.75 to 15.4 GHz in 125 kHz steps. Synthesized local oscillators (LO) provide low phase noise,  $\pm 0.05$  ppm stability frequency selection. RF frequency, gain, and other parameters are set by the Monitor and Control (M&C) which also provides indication of PLL alarm, TX carrier Mute and frequency and gain (range of 0 to **+15 dB**) settings. Connectors are SMA female for the RF Out, RF In, and external 10 MHz reference input ( a +3 dBm  $\pm$  3 dB, 10MHz signal) and DB9 for the M&C (Ethernet Optional). It is powered by an external 18 to 36 VDC power source, and is mounted on an 9.0" L X 6.0" W X 1.50" H plate assembly.



**1015-154-130 Upconverter**

**EQUIPMENT SPECIFICATIONS\***

**Input Characteristics**

Impedance/Return Loss 50 $\Omega$ /18 dB  
Frequency 130  $\pm$ 18 MHz  
Level range -10 to 0 dBm

**Output Characteristics**

Impedance/Return Loss 50  $\Omega$  /14 dB  
Frequency **14.75 to 15.4 GHz**  
Level Range -5 to +5 dBm  
1 dB compression **+15 dBm, at max. gain**  
Mute **>60 dB @ +5 dBm out**

**Channel Characteristics**

Gain **+15.0  $\pm$  1 dB at Fc; adjustable from 0 to +15.0 dB, 0.5  $\pm$ 0.5 dB steps**  
Spurious, Inband **< -50 dBc, at max. gain, +5 dBm out**  
Spurious, Out of band **< -50 dBm, 10.0 - 14.75 and 15.4 - 20 GHz, at max. gain**  
Intermodulation **< -45 dBc for two carriers spaced at Fc  $\pm$ 2 Mhz apart each at 0 dBm out, at max. gain**  
Frequency Response  $\pm$ 1.0 dB, 14.75-15.4 GHz out;  $\pm$  0.5 dB, 40 MHz BW  
Frequency Sense Non-inverting

**LO Characteristics**

Freq. Accuracy/Stability  $\pm$  0.05 ppm max over temp with external  $\pm$  0.01 ppm reference  
Frequency Step 125 kHz minimum  
10 MHz level +3 dBm,  $\pm$  3 dB, 50 ohms, External In

Phase Noise @ F (Hz) >	100	1K	10K	100K	1M
dBc/Hz	-70	-70	-80	-95	-105
<b>EXT 10M dBc/Hz</b>	<b>-140</b>	<b>-155</b>	<b>-160</b>	<b>-160</b>	<b>-160</b>

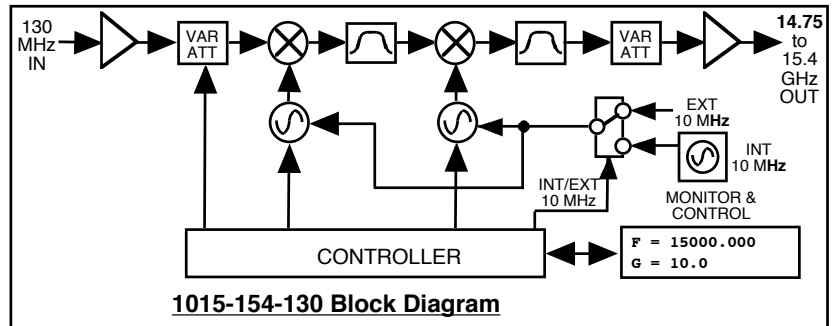
**Controls, Indicators**

Freq/Gain Selection RS232C, 9600 baud (**Ethernet optional**)  
PLL Alarm NO or NC External contact closure

**Other**

**RF IN, RF OUT, 10M** All connectors are SMA (female)  
M&C, ALarm Connector 10 Pin Latching Connector  
Size 9.0" long X 6.0" wide X 1.50" high  
Power 18 to 36 VDC, 20 watts max., standard - Contact Cross for other voltage options.

\*+10 to +40 degrees C; Specifications subject to change without notice



**1015-154-130 Block Diagram**

**Available Options**

W31 - Ext. Temp 0C to +50C  
W41 - Ext. Temp -20C to +50C

**Remote M&C Interfaces:**

W8 - Ethernet; w/Web Browser (WB)  
W18 - Ethernet; w/WB & SNMP  
W28 - Ethernet; w/TCP/IP, Telnet  
**W828 - W8 +W18 +W28**

**Contact Cross for other options**